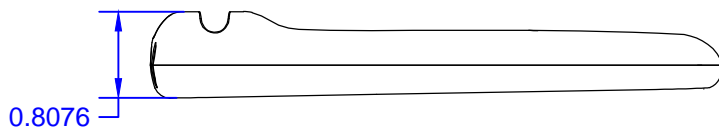
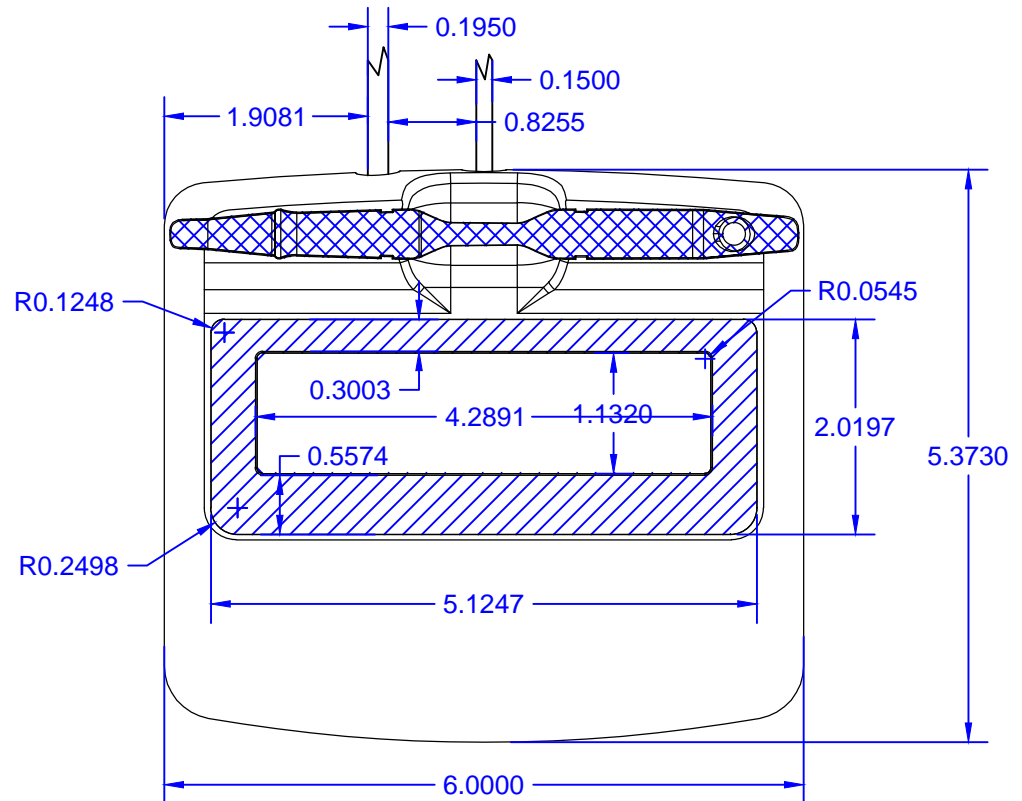
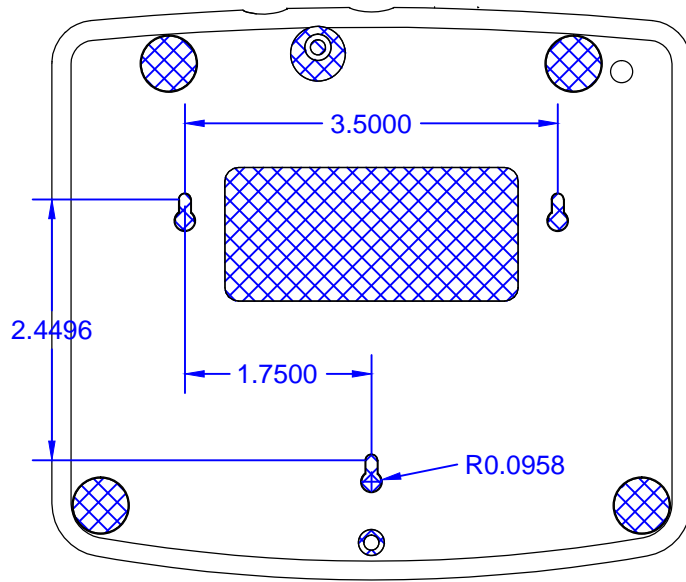


Scriptel®

Mounting holes are designed to be used with PEM fastener SKC-F1.5.



QTY.	U.M.	DESCRIPTION	PART NUMBER	ITEM
PARTS LIST				
THIS DRAWING IS THE PROPERTY OF SCRIPTEL CORPORATION. ANY PATENTS OBTAINED COVERING DESIGN OR CONSTRUCTION SHOWN HEREON BELONG WHOLLY TO SCRIPTEL CORPORATION.		UNLESS OTHERWISE SPECIFIED DIMENSIONS ARE IN INCHES. TOLERANCES ARE: FRACTIONS DECIMALS ANGLES * .XXX ± .010 * 12" * .XXX ± .005	SCRIPTEL CORPORATION COLUMBUS, OHIO	
		DRAWN PP	ST1475 ST1476	
		CHECKED X		
PROJECT No:		APPROVED 12-18-13	SIZE B	DWG. NO.
DO NOT SCALE DRAWING		APPROVALS	DATE	REV.
		SCALE 1X	© 2013 SCRIPTEL CORP. SHEET 1 OF 1	